



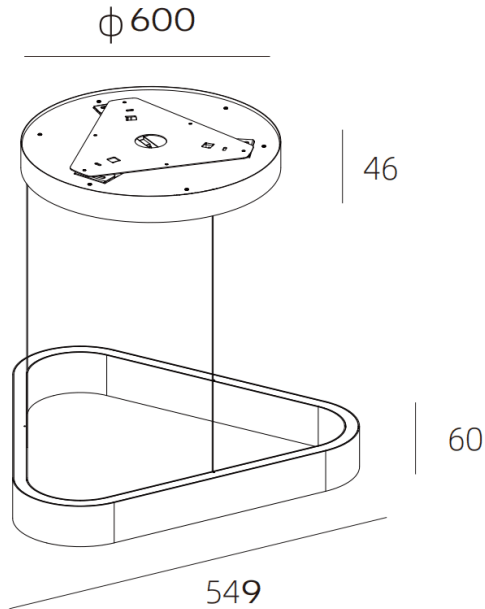
**UP&DOWN TRI**

Lavov suspended fixture from the family UP&DOWN TRI with a power of 60W and a beam angle of  $\uparrow 80^\circ \downarrow 45^\circ$ . Finished in White colour. With a total lumen output of 3150lm and a luminous efficacy of 52.5lm/W. Made in Die Cast Aluminum. Driver Touchless control, UGR13. CCT 3000K. Dimensions 600X549X60mm.

**Dimensions**

**Product dimensions (mm)** **600X549X60mm**

**Scheme**



<b>Item code</b>	<b>86.S004.2330.01</b>
<b>Product type</b>	<b>Indoor</b>
<b>Category</b>	<b>Pendants</b>
<b>Family</b>	<b>UP&amp;DOWN TRI</b>
<b>Pictograms</b>	

<b>Product</b>	
<b>Real power (W)</b>	<b>60</b>
<b>Real luminous flux (Lm)</b>	<b>3150</b>
<b>Luminous efficiency (Lm/W)</b>	<b>52.5</b>
<b>Beam angle (°)</b>	<b><math>\uparrow 80^\circ \downarrow 45^\circ</math></b>
<b>Life time (h)</b>	<b>50000h L80B10</b>
<b>IP</b>	<b>20</b>
<b>Colour</b>	<b>White</b>
<b>U. G. R</b>	<b>13</b>
<b>Control gear included</b>	<b>Yes</b>
<b>Control gear</b>	<b>Touchless control</b>
<b>Light source</b>	<b>LED</b>
<b>Type of LED</b>	<b>SMD</b>
<b>Colour temperature (K)</b>	<b>3000</b>
<b>Colour consistency (SDCM)</b>	<b>SDCM3</b>
<b>CRI</b>	<b>90</b>