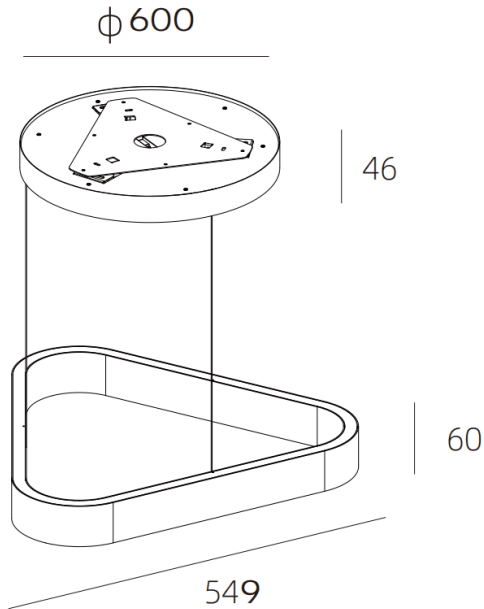


UP&DOWN TRI

Lavov suspended fixture from the family UP&DOWN TRI with a power of 60W and a beam angle of $\uparrow 80^\circ \downarrow 45^\circ$. Finished in Gold colour. With a total lumen output of 3150lm and a luminous efficacy of 52.5lm/W. Made in Die Cast Aluminum. Driver ON-OFF, UGR13. CCT 3000K. Dimensions 600X549X60mm.

Dimensions	
Product dimensions (mm)	600X549X60mm

Scheme



Item code	86.S004.2331.06
Product type	Indoor
Category	Pendants
Family	UP&DOWN TRI
Pictograms	

Product	
Real power (W)	60
Real luminous flux (Lm)	3150
Luminous efficiency (Lm/W)	52.5
Beam angle (°)	$\uparrow 80^\circ \downarrow 45^\circ$
Life time (h)	50000h L80B10
IP	20
Colour	Gold
U. G. R	13
Control gear included	Yes
Control gear	ON-OFF
Light source	LED
Type of LED	SMD
Colour temperature (K)	3000
Colour consistency (SDCM)	SDCM3
CRI	90