



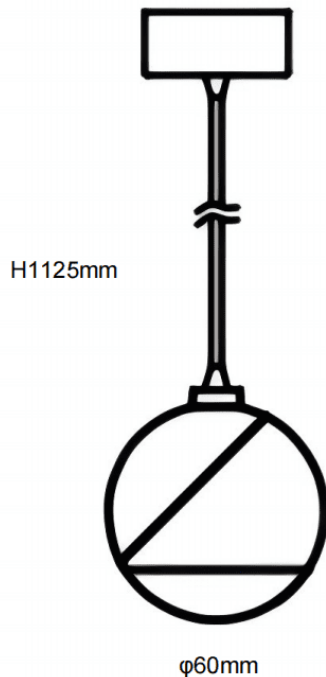
**LUXBALL P**

Lavov suspended fixture from the family LUXBALL P with a power of 10W and a beam angle of 10. Finished in Black colour. With a total lumen output of 1000lm and a luminous efficacy of 100lm/W. Made in Die Cast Aluminum. Driver ON-OFF, UGR . CCT 3000K. Dimensions Ø60X1125mm.

**Dimensions**

Product dimensions (mm) **Ø60X1125mm**

**Scheme**



<b>Item code</b>	<b>86.S005.1311.02</b>
<b>Product type</b>	<b>Indoor</b>
<b>Category</b>	<b>Pendants</b>
<b>Family</b>	<b>LUXBALL P</b>
<b>Pictograms</b>	

<b>Product</b>	
<b>Real power (W)</b>	<b>10</b>
<b>Real luminous flux (Lm)</b>	<b>1000</b>
<b>Luminous efficiency (Lm/W)</b>	<b>100</b>
<b>Beam angle (°)</b>	<b>10</b>
<b>Life time (h)</b>	<b>50000h L80B10</b>
<b>IP</b>	<b>20</b>
<b>Colour</b>	<b>Black</b>
<b>Control gear included</b>	<b>Yes</b>
<b>Control gear</b>	<b>ON-OFF</b>
<b>Light source</b>	<b>LED</b>
<b>Type of LED</b>	<b>COB</b>
<b>Colour temperature (K)</b>	<b>3000</b>
<b>Colour consistency (SDCM)</b>	<b>SDCM3</b>
<b>CRI</b>	<b>90</b>