



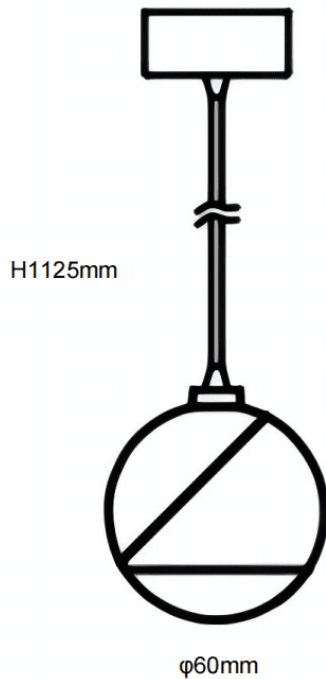
LUXBALL P

Lavov suspended fixture from the family LUXBALL P with a power of 10W and a beam angle of 24. Finished in White colour. With a total lumen output of 1000lm and a luminous efficacy of 100lm/W. Made in Die Cast Aluminum. Driver ON-OFF, UGR . CCT 3000K. Dimensions Ø60X1125mm.

Dimensions

Product dimensions (mm) **Ø60X1125mm**

Scheme



Item code	86.S005.1321.01
Product type	Indoor
Category	Pendants
Family	LUXBALL P
Pictograms	

Product	
Real power (W)	10
Real luminous flux (Lm)	1000
Luminous efficiency (Lm/W)	100
Beam angle (°)	24
Life time (h)	50000h L80B10
IP	20
Colour	White
Control gear included	Yes
Control gear	ON-OFF
Light source	LED
Type of LED	COB
Colour temperature (K)	3000
Colour consistency (SDCM)	SDCM3
CRI	90