



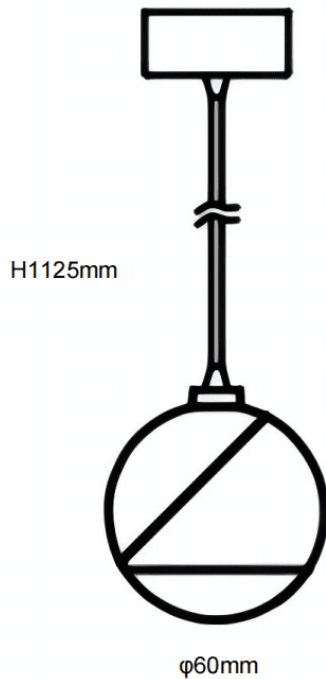
**LUXBALL P**

Lavov suspended fixture from the family LUXBALL P with a power of 10W and a beam angle of 40. Finished in Black colour. With a total lumen output of 1000lm and a luminous efficacy of 100lm/W. Made in Die Cast Aluminum. Driver ON-OFF, UGR . CCT 3000K. Dimensions Ø60X1125mm.

**Dimensions**

Product dimensions (mm) **Ø60X1125mm**

**Scheme**



|                     |                        |
|---------------------|------------------------|
| <b>Item code</b>    | <b>86.S005.1331.02</b> |
| <b>Product type</b> | <b>Indoor</b>          |
| <b>Category</b>     | <b>Pendants</b>        |
| <b>Family</b>       | <b>LUXBALL P</b>       |
| <b>Pictograms</b>   |                        |

|                                   |                      |
|-----------------------------------|----------------------|
| <b>Product</b>                    |                      |
| <b>Real power (W)</b>             | <b>10</b>            |
| <b>Real luminous flux (Lm)</b>    | <b>1000</b>          |
| <b>Luminous efficiency (Lm/W)</b> | <b>100</b>           |
| <b>Beam angle (&amp;ordm;)</b>    | <b>40</b>            |
| <b>Life time (h)</b>              | <b>50000h L80B10</b> |
| <b>IP</b>                         | <b>20</b>            |
| <b>Colour</b>                     | <b>Black</b>         |
| <b>Control gear included</b>      | <b>Yes</b>           |
| <b>Control gear</b>               | <b>ON-OFF</b>        |
| <b>Light source</b>               | <b>LED</b>           |
| <b>Type of LED</b>                | <b>COB</b>           |
| <b>Colour temperature (K)</b>     | <b>3000</b>          |
| <b>Colour consistency (SDCM)</b>  | <b>SDCM&lt;3</b>     |
| <b>CRI</b>                        | <b>90</b>            |

**Photometry**

