



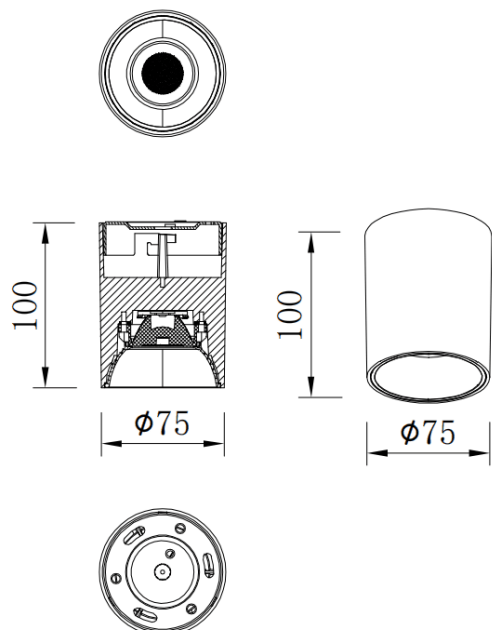
### TUBULAR-S

Lavov surface downlight from the family with a power of 10W and a beam angle of 20°. Finished in White colour. Dimensions Ø75X100 mm .With a total lumen output of 800lm and a luminous efficacy of 80lm/W. Made in Die Cast Aluminum. Driver ON-OFF. CCT 3000K.

#### Dimensions

Product dimensions (mm) **Ø75X100 mm**

#### Scheme



Item code	<b>86.SD01.1321.01</b>
Product type	<b>Indoor</b>
Category	<b>Surface Downlights</b>
Family	<b>TUBULAR-S</b>
Pictograms	

<b>Product</b>	
Real power (W)	<b>10</b>
Real luminous flux (Lm)	<b>800</b>
Luminous efficiency (Lm/W)	<b>80</b>
Beam angle (&ordm;)	<b>20</b>
Life time (h)	<b>50000h L80B10</b>
IP	<b>IP65</b>
Colour	<b>White</b>
Control gear included	<b>Yes</b>
Control gear	<b>ON-OFF</b>
Colour temperature (K)	<b>3000</b>
Colour consistency (SDCM)	<b>SDCM&lt;3</b>
CRI	<b>80</b>

#### Photometry

