



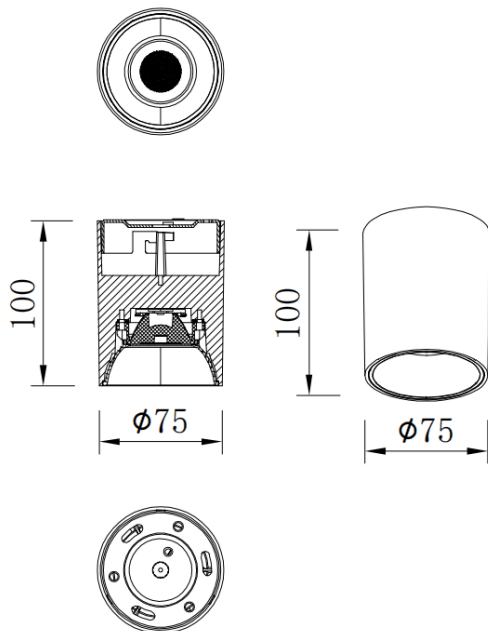
TUBULAR-S

Lavov surface downlight from the family with a power of 10W and a beam angle of 20°. Finished in Black colour. Dimensions Ø75X100 mm .With a total lumen output of 800lm and a luminous efficacy of 80lm/W. Made in Die Cast Aluminum. Driver ON-OFF. CCT 3000K.

Dimensions

Product dimensions (mm) **Ø75X100 mm**

Scheme



Item code	86.SD01.1321.02
Product type	Indoor
Category	Surface Downlights
Family	TUBULAR-S
Pictograms	

Product	
Real power (W)	10
Real luminous flux (Lm)	800
Luminous efficiency (Lm/W)	80
Beam angle (°)	20
Life time (h)	50000h L80B10
IP	IP65
Colour	Black
Control gear included	Yes
Control gear	ON-OFF
Light source	LED
Type of LED	COB
Colour temperature (K)	3000
Colour consistency (SDCM)	SDCM3
CRI	80

Photometry

