

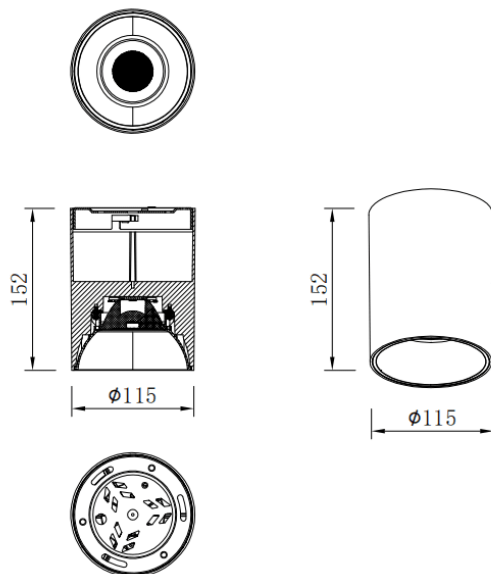


TUBULAR-S

Lavov surface downlight from the family with a power of 30W and a beam angle of 20°. Finished in Silver colour. Dimensions Ø115X152 mm .With a total lumen output of 2400lm and a luminous efficacy of 80lm/W. Made in Die Cast Aluminum. Driver ON-OFF. CCT 4000K.

| Dimensions | |
|-------------------------|-------------|
| Product dimensions (mm) | Ø115X152 mm |

Scheme



| | |
|--------------|--------------------|
| Item code | 86.SD01.3421.03 |
| Product type | Indoor |
| Category | Surface Downlights |
| Family | TUBULAR-S |
| Pictograms | |

| Product | |
|----------------------------|---------------|
| Real power (W) | 30 |
| Real luminous flux (Lm) | 2400 |
| Luminous efficiency (Lm/W) | 80 |
| Beam angle (°) | 20 |
| Life time (h) | 50000h L80B10 |
| IP | IP65 |
| Colour | Silver |
| Control gear included | Yes |
| Control gear | ON-OFF |
| Colour temperature (K) | 4000 |
| Colour consistency (SDCM) | SDCM<3 |
| CRI | 80 |