



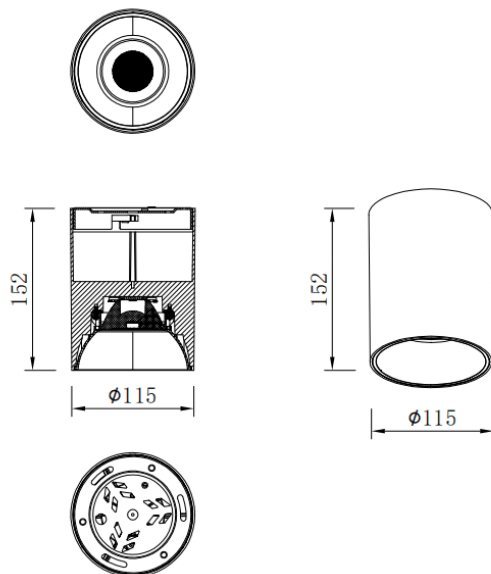
### TUBULAR-S

Lavov surface downlight from the family with a power of 30W and a beam angle of 60°. Finished in Black colour. Dimensions Ø115X152 mm .With a total lumen output of 2400lm and a luminous efficacy of 80lm/W. Made in Die Cast Aluminum. Driver ON-OFF. CCT 4000K.

#### Dimensions

Product dimensions (mm) **Ø115X152 mm**

#### Scheme



Item code	86.SD01.3441.02
Product type	Indoor
Category	Surface Downlights
Family	TUBULAR-S
Pictograms	

Product	
Real power (W)	30
Real luminous flux (Lm)	2400
Luminous efficiency (Lm/W)	80
Beam angle (&ordm;)	60
Life time (h)	50000h L80B10
IP	IP65
Colour	Black
Control gear included	Yes
Control gear	ON-OFF
Colour temperature (K)	4000
Colour consistency (SDCM)	SDCM<3
CRI	80