

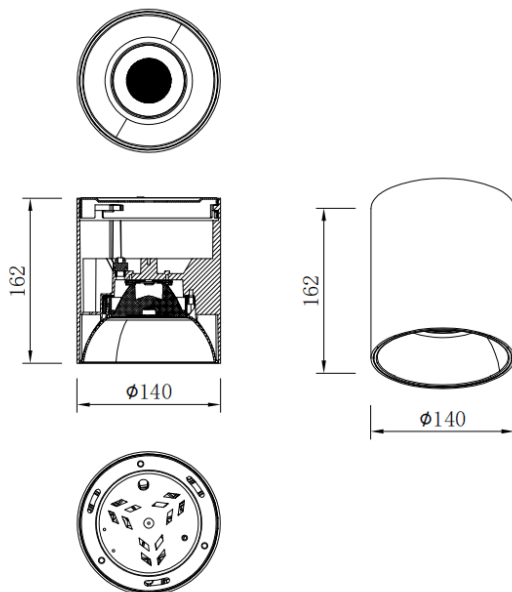


### TUBULAR-S

Lavov surface downlight from the family with a power of 40W and a beam angle of 60°. Finished in Black colour. Dimensions Ø140X162 mm. With a total lumen output of 3200lm and a luminous efficacy of 80lm/W. Made in Die Cast Aluminum. Driver DALI. CCT 4000K.

| Dimensions              |             |
|-------------------------|-------------|
| Product dimensions (mm) | Ø140X162 mm |

### Scheme



|              |                    |
|--------------|--------------------|
| Item code    | 86.SD01.4443.02    |
| Product type | Indoor             |
| Category     | Surface Downlights |
| Family       | TUBULAR-S          |
| Pictograms   |                    |

| Product                    |               |
|----------------------------|---------------|
| Real power (W)             | 40            |
| Real luminous flux (Lm)    | 3200          |
| Luminous efficiency (Lm/W) | 80            |
| Beam angle (°)             | 60            |
| Life time (h)              | 50000h L80B10 |
| IP                         | IP65          |
| Colour                     | Black         |
| Control gear included      | Yes           |
| Control gear               | DALI          |
| Light source               | LED           |
| Type of LED                | COB           |
| Colour temperature (K)     | 4000          |
| Colour consistency (SDCM)  | SDCM3         |
| CRI                        | 80            |