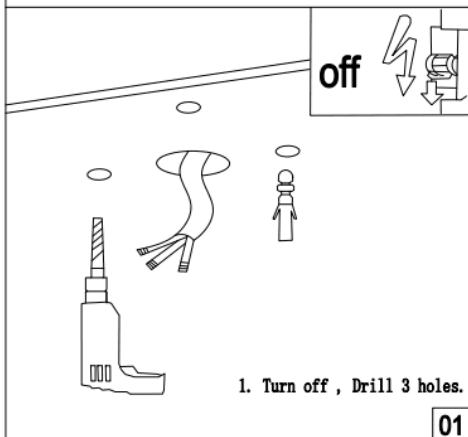
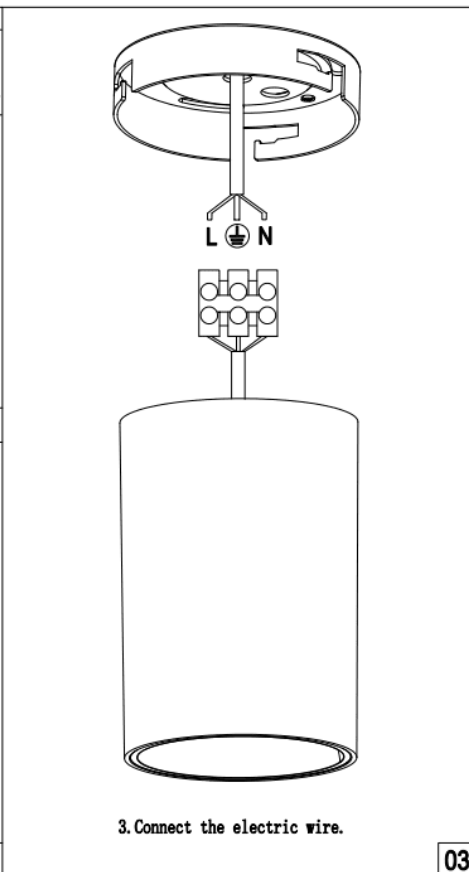
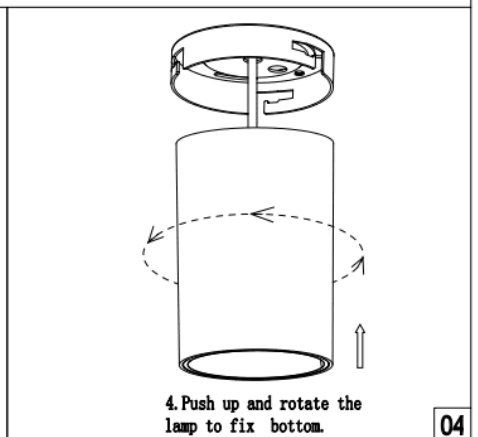
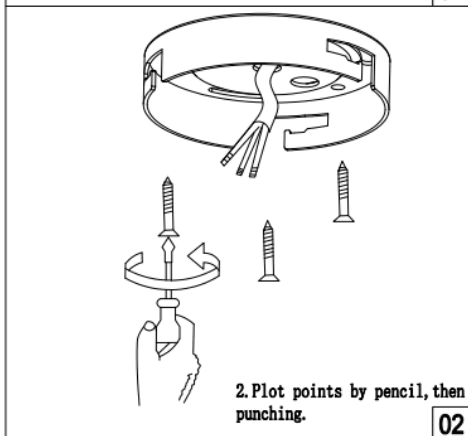
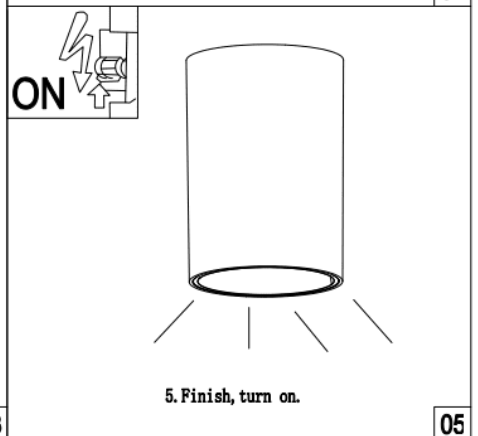




- Installation and wiring of luminaire must be in accordance with all applicable local codes.
- Installation, inspection, and maintenance of luminaires should be performed by a qualified electrician.
- DO NOT make or alter any open holes in the luminaire. Do not modify the luminaire.
- DO NOT install damaged product.
- Make sure electrical power is OFF before and during installation and maintenance.
- Make sure the equipment is properly grounded.
- Make sure the supply voltage is same as the rated fixture voltage.

## Installation instructions

 <p>off</p> <p>1. Turn off , Drill 3 holes.</p> <p>01</p>	 <p>L N</p> <p>3. Connect the electric wire.</p> <p>03</p>	 <p>4. Push up and rotate the lamp to fix bottom.</p> <p>04</p>
 <p>2. Plot points by pencil, then punching.</p> <p>02</p>		 <p>ON</p> <p>5. Finish, turn on.</p> <p>05</p>