

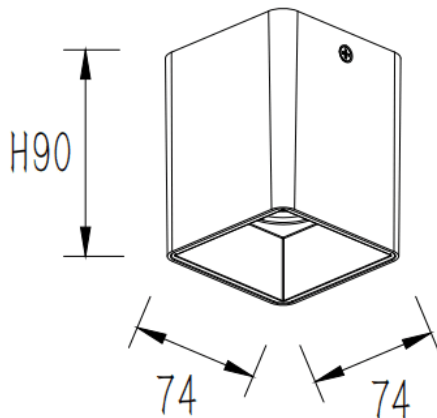



SQUARE-S

Lavov surface downlight from the family SQUARE-S B with a power of 15W and a beam angle of 60°. Finished in White colour. Dimensions 74x74x90 mm. With a total lumen output of 1500lm and a luminous efficacy of 80lm/W. Made in Die cast aluminium. Driver ON-OFF. CCT 3000K. IP65.

| Dimensions | |
|-------------------------|-------------|
| Product dimensions (mm) | 74x74x90 mm |

Scheme



| | |
|--------------|---|
| Item code | 86.SD03.1331.01 |
| Product type | Indoor |
| Category | Surface Downlights |
| Family | SQUARE-S |
| Pictograms |  |

| Product | |
|----------------------------|---------------|
| Real power (W) | 15 |
| Real luminous flux (Lm) | 1500 |
| Luminous efficiency (Lm/W) | 80 |
| Beam angle (º) | 60 |
| Life time (h) | 50000h L80B10 |
| IP | IP65 |
| Colour | White |
| Control gear included | Yes |
| Control gear | ON-OFF |
| Colour temperature (K) | 3000 |
| Colour consistency (SDCM) | SDCM<3 |
| CRI | 80 |