



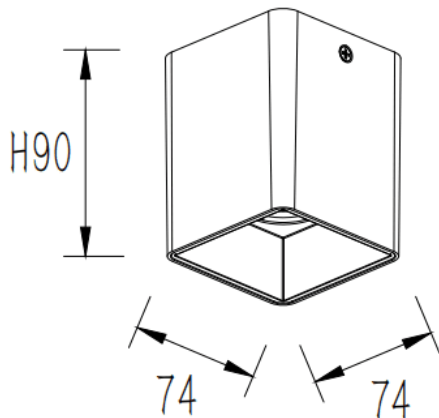
SQUARE-S

Lavov surface downlight from the family SQUARE-S B with a power of 15W and a beam angle of 20°. Finished in Black colour. Dimensions 74x74x90 mm. With a total lumen output of 1200lm and a luminous efficacy of 80lm/W. Made in Die cast aluminium. Driver ON-OFF. CCT 4000K. IP65.

Dimensions

Product dimensions (mm) **74x74x90 mm**

Scheme



Photometry

Item code	86.SD03.1411.02
Product type	Indoor
Category	Surface Downlights
Family	SQUARE-S
Pictograms	

Product	
Real power (W)	15
Real luminous flux (Lm)	1200
Luminous efficiency (Lm/W)	80
Beam angle (°)	20
Life time (h)	50000h L80B10
IP	IP65
Colour	Black
Control gear included	Yes
Control gear	ON-OFF
Light source	LED
Type of LED	COB
Colour temperature (K)	4000
Colour consistency (SDCM)	SDCM3
CRI	80

