

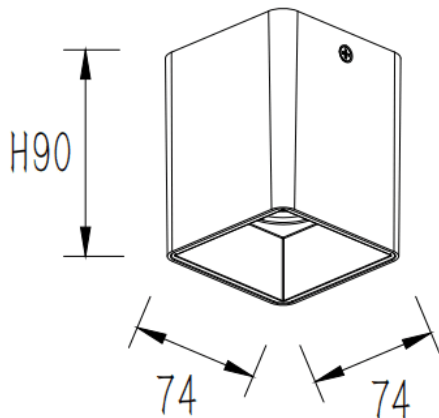



SQUARE-S

Lavov surface downlight from the family SQUARE-S B with a power of 15W and a beam angle of 40°. Finished in Grey colour. Dimensions 74x74x90 mm. With a total lumen output of 1200lm and a luminous efficacy of 80lm/W. Made in Die cast aluminium. Driver DALI. CCT 4000K. IP65.

| Dimensions | |
|-------------------------|-------------|
| Product dimensions (mm) | 74x74x90 mm |

Scheme



| | |
|--------------|-------------------------------------------------------------------------------------|
| Item code | 86.SD03.1423.03 |
| Product type | Indoor |
| Category | Surface Downlights |
| Family | SQUARE-S |
| Pictograms |  |

| Product | |
|----------------------------|---------------|
| Real power (W) | 15 |
| Real luminous flux (Lm) | 1200 |
| Luminous efficiency (Lm/W) | 80 |
| Beam angle (°) | 40 |
| Life time (h) | 50000h L80B10 |
| IP | IP65 |
| Colour | Grey |
| Control gear included | Yes |
| Control gear | DALI |
| Light source | LED |
| Type of LED | COB |
| Colour temperature (K) | 4000 |
| Colour consistency (SDCM) | SDCM3 |
| CRI | 80 |