

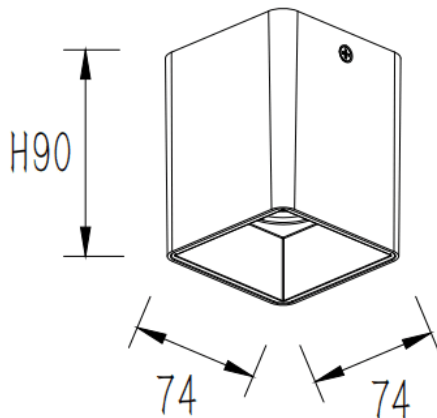



### SQUARE-S

Lavov surface downlight from the family SQUARE-S B with a power of 15W and a beam angle of 60°. Finished in Black colour. Dimensions 74x74x90 mm. With a total lumen output of 1200lm and a luminous efficacy of 80lm/W. Made in Die cast aluminium. Driver DALI. CCT 4000K. IP65.

Dimensions	
Product dimensions (mm)	74x74x90 mm

### Scheme



Item code	86.SD03.1433.02
Product type	Indoor
Category	Surface Downlights
Family	SQUARE-S
Pictograms	

Product	
Real power (W)	15
Real luminous flux (Lm)	1200
Luminous efficiency (Lm/W)	80
Beam angle (&ordm;)	60
Life time (h)	50000h L80B10
IP	IP65
Colour	Black
Control gear included	Yes
Control gear	DALI
Colour temperature (K)	4000
Colour consistency (SDCM)	SDCM<3
CRI	80