

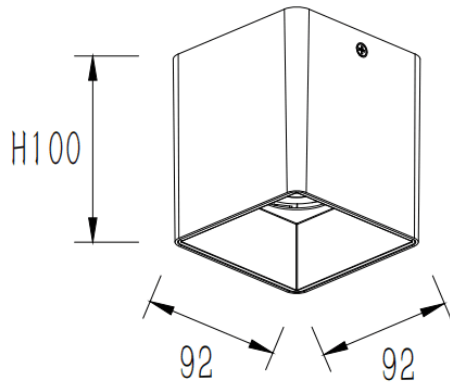


### SQUARE-S

Lavov surface downlight from the family SQUARE-S B with a power of 25W and a beam angle of 60°. Finished in Black colour. Dimensions 92x92x100mm. With a total lumen output of 2000lm and a luminous efficacy of 80lm/W. Made in Die cast aluminium. Driver ON-OFF. CCT 3000K. IP65.

| Dimensions              |             |
|-------------------------|-------------|
| Product dimensions (mm) | 92x92x100mm |

### Scheme



|              |                    |
|--------------|--------------------|
| Item code    | 86.SD03.2331.02    |
| Product type | Indoor             |
| Category     | Surface Downlights |
| Family       | SQUARE-S           |
| Pictograms   |                    |

| Product                    |               |
|----------------------------|---------------|
| Real power (W)             | 25            |
| Real luminous flux (Lm)    | 2000          |
| Luminous efficiency (Lm/W) | 80            |
| Beam angle (°)             | 60            |
| Life time (h)              | 50000h L80B10 |
| IP                         | IP65          |
| Colour                     | Black         |
| Control gear included      | Yes           |
| Control gear               | ON-OFF        |
| Light source               | LED           |
| Type of LED                | COB           |
| Colour temperature (K)     | 3000          |
| Colour consistency (SDCM)  | SDCM3         |
| CRI                        | 80            |