

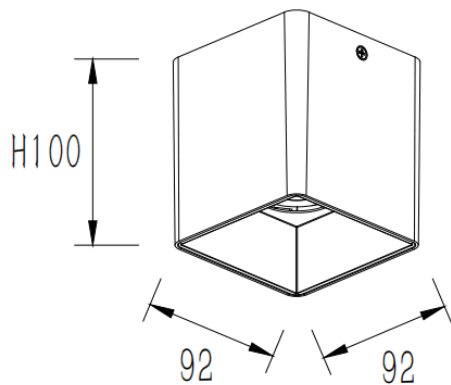


SQUARE-S

Lavov surface downlight from the family SQUARE-S B with a power of 25W and a beam angle of 60°. Finished in Grey colour. Dimensions 92x92x100mm. With a total lumen output of 2000lm and a luminous efficacy of 80lm/W. Made in Die cast aluminium. Driver ON-OFF. CCT 4000K. IP65.

| Dimensions | |
|-------------------------|-------------|
| Product dimensions (mm) | 92x92x100mm |

Scheme



| | |
|--------------|--------------------|
| Item code | 86.SD03.2431.03 |
| Product type | Indoor |
| Category | Surface Downlights |
| Family | SQUARE-S |
| Pictograms | |

| Product | |
|----------------------------|---------------|
| Real power (W) | 25 |
| Real luminous flux (Lm) | 2000 |
| Luminous efficiency (Lm/W) | 80 |
| Beam angle (°) | 60 |
| Life time (h) | 50000h L80B10 |
| IP | IP65 |
| Colour | Grey |
| Control gear included | Yes |
| Control gear | ON-OFF |
| Light source | LED |
| Type of LED | COB |
| Colour temperature (K) | 4000 |
| Colour consistency (SDCM) | SDCM3 |
| CRI | 80 |