



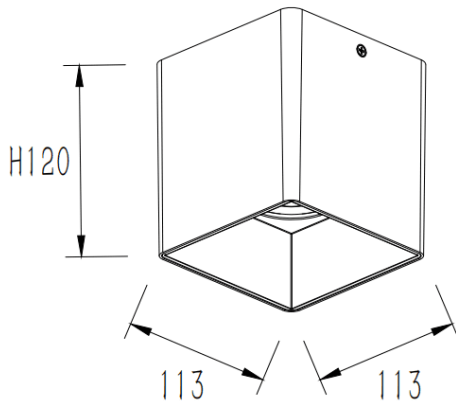
### SQUARE-S


Lavov surface downlight from the family SQUARE-S B with a power of 35W and a beam angle of 60°. Finished in White colour. Dimensions 113x113x120mm. With a total lumen output of 2800lm and a luminous efficacy of 80lm/W. Made in Die cast aluminium. Driver ON-OFF. CCT 3000K. IP65.

#### Dimensions

Product dimensions (mm) **113x113x120mm**

#### Scheme



|              |   |
|--------------|---|
| Item code    | <b>86.SD03.3331.01</b>  |
| Product type | <b>Indoor</b>   |
| Category     | <b>Surface Downlights</b>   |
| Family       | <b>SQUARE-S</b>   |
| Pictograms   |  |

|                            |                      |
|----------------------------|----------------------|
| <b>Product</b>             |                      |
| Real power (W)             | <b>35</b>            |
| Real luminous flux (Lm)    | <b>2800</b>          |
| Luminous efficiency (Lm/W) | <b>80</b>            |
| Beam angle (°)             | <b>60</b>            |
| Life time (h)              | <b>50000h L80B10</b> |
| IP                         | <b>IP65</b>          |
| Colour                     | <b>White</b>         |
| Control gear included      | <b>Yes</b>           |
| Control gear               | <b>ON-OFF</b>        |
| Light source               | <b>LED</b>           |
| Type of LED                | <b>COB</b>           |
| Colour temperature (K)     | <b>3000</b>          |
| Colour consistency (SDCM)  | <b>SDCM3</b>         |
| CRI                        | <b>80</b>            |