



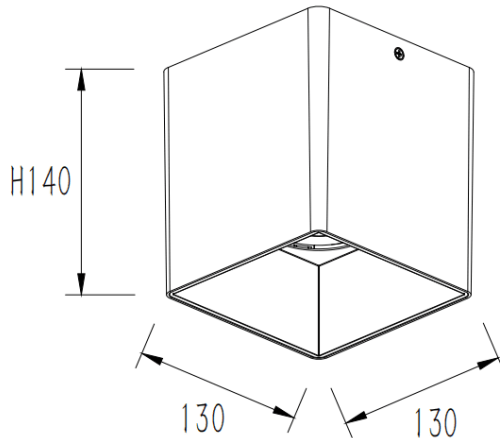
### SQUARE-S


Lavov surface downlight from the family SQUARE-S B with a power of 45W and a beam angle of 20°. Finished in White colour. Dimensions 130x130x140mm. With a total lumen output of 3600lm and a luminous efficacy of 80lm/W. Made in Die cast aluminium. Driver DALI. CCT 3000K. IP65.

#### Dimensions

Product dimensions (mm) **130x130x140mm**

#### Scheme



Item code	<b>86.SD03.4313.01</b>
Product type	<b>Indoor</b>
Category	<b>Surface Downlights</b>
Family	<b>SQUARE-S</b>
Pictograms	

<b>Product</b>	
Real power (W)	<b>45</b>
Real luminous flux (Lm)	<b>3600</b>
Luminous efficiency (Lm/W)	<b>80</b>
Beam angle (°)	<b>20</b>
Life time (h)	<b>50000h L80B10</b>
IP	<b>IP65</b>
Colour	<b>White</b>
Control gear included	<b>Yes</b>
Control gear	<b>DALI</b>
Light source	<b>LED</b>
Type of LED	<b>COB</b>
Colour temperature (K)	<b>3000</b>
Colour consistency (SDCM)	<b>SDCM3</b>
CRI	<b>80</b>