

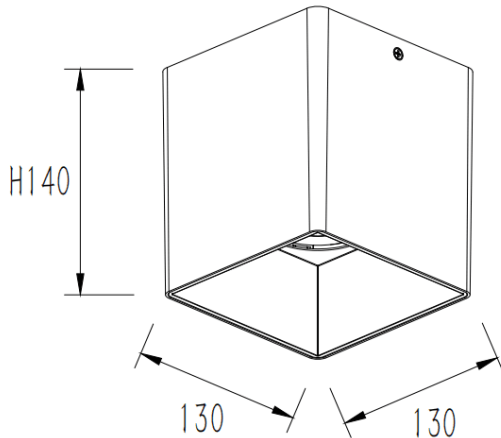



SQUARE-S

Lavov surface downlight from the family SQUARE-S B with a power of 45W and a beam angle of 40°. Finished in Grey colour. Dimensions 130x130x140mm. With a total lumen output of 3600lm and a luminous efficacy of 80lm/W. Made in Die cast aluminium. Driver DALI. CCT 3000K. IP65.

Dimensions	
Product dimensions (mm)	130x130x140mm

Scheme



Item code	86.SD03.4323.03
Product type	Indoor
Category	Surface Downlights
Family	SQUARE-S
Pictograms	

Product	
Real power (W)	45
Real luminous flux (Lm)	3600
Luminous efficiency (Lm/W)	80
Beam angle (º)	40
Life time (h)	50000h L80B10
IP	IP65
Colour	Grey
Control gear included	Yes
Control gear	DALI
Colour temperature (K)	3000
Colour consistency (SDCM)	SDCM<3
CRI	80