



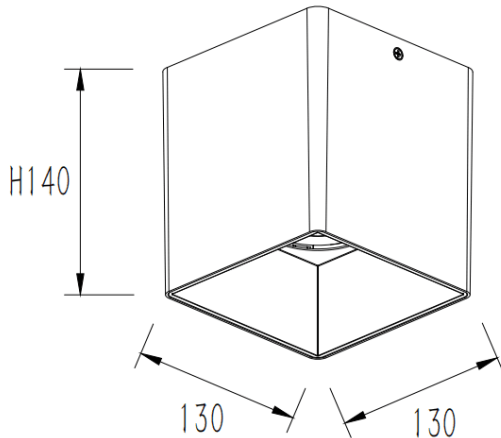
### SQUARE-S


Lavov surface downlight from the family SQUARE-S B with a power of 45W and a beam angle of 60°. Finished in Black colour. Dimensions 130x130x140mm. With a total lumen output of 3600lm and a luminous efficacy of 80lm/W. Made in Die cast aluminium. Driver ON-OFF. CCT 3000K. IP65.

#### Dimensions

Product dimensions (mm) **130x130x140mm**

#### Scheme



Item code	86.SD03.4331.02
Product type	Indoor
Category	Surface Downlights
Family	SQUARE-S
Pictograms	

Product	
Real power (W)	45
Real luminous flux (Lm)	3600
Luminous efficiency (Lm/W)	80
Beam angle (°)	60
Life time (h)	50000h L80B10
IP	IP65
Colour	Black
Control gear included	Yes
Control gear	ON-OFF
Colour temperature (K)	3000
Colour consistency (SDCM)	SDCM<3
CRI	80