



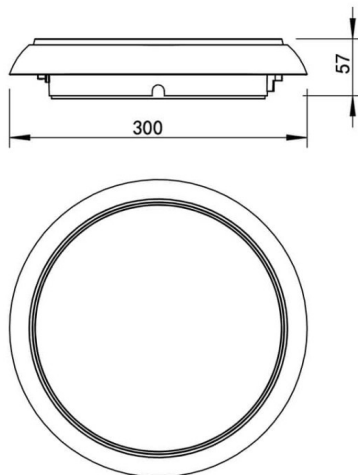
### Rock up&down

Lavov surface downlight from the family Rock up&down with a switchable power of 8/10/15W and an optics 150° down, 110° up degrees. Switchable CCT 3000/4000/6000K. With a total lumen output of 960/1200/1800lm and a luminous efficiency of 120lm/W. Color stability SDCM3. CCT 3000/4000/6000K. DALI driver. Made in PC housing and PC cover and finished in white color. IP54 and IK10 degree of protection. CRI > 80.

#### Dimensions

Product dimensions (mm) **Ø300xH57mm**

#### Scheme



Item code	<b>86.SD09.1303.01</b>
Product type	<b>Indoor</b>
Category	<b>Surface Downlights</b>
Family	<b>Rock</b>
Subfamily	<b>Rock up&amp;down</b>
Pictograms	

<b>Product</b>	
Real power (W)	<b>8/10/15</b>
Real luminous flux (Lm)	<b>960/1200/1800</b>
Luminous efficiency (Lm/W)	<b>120</b>
Beam angle (&ordm;)	<b>150° down, 110° up</b>
IP	<b>54</b>
Colour	<b>white</b>
Control gear included	<b>yes</b>
Control gear	<b>DALI</b>
Power Factor	<b>&gt;0,9</b>
Flicker Free	<b>yes</b>
Colour temperature (K)	<b>3000/4000/6000</b>
Colour consistency (SDCM)	<b>SDCM&lt;3</b>
CRI	<b>&gt;80</b>
IK	<b>IK10</b>