



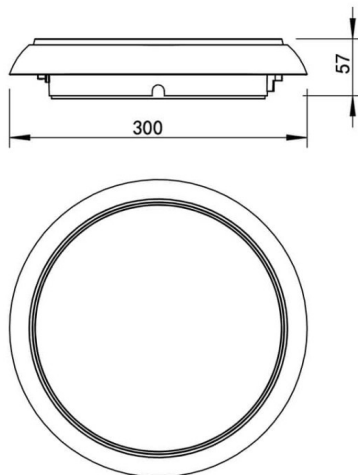
Rock up&down


Lavov surface downlight from the family Rock up&down with a switchable power of 8/10/15W and an optics 150° down, 110° up degrees. Switchable CCT 3000/4000/6000K. With a total lumen output of 960/1200/1800lm and a luminous efficiency of 120lm/W. Color stability SDCM3. CCT 3000/4000/6000K. DALI driver. Made in PC housing and PC cover and finished in black color. IP54 and IK10 degree of protection. CRI > 80.

Dimensions

Product dimensions (mm) Ø300xH57mm

Scheme



| | |
|--------------|--|
| Item code | 86.SD09.1303.02 |
| Product type | Indoor |
| Category | Surface Downlights |
| Family | Rock |
| Subfamily | Rock up&down |
| Pictograms |  |

| | |
|----------------------------|--------------------|
| Product | |
| Real power (W) | 8/10/15 |
| Real luminous flux (Lm) | 960/1200/1800 |
| Luminous efficiency (Lm/W) | 120 |
| Beam angle (°) | 150° down, 110° up |
| IP | 54 |
| Colour | black |
| Control gear included | yes |
| Control gear | DALI |
| Power Factor | >0,9 |
| Flicker Free | yes |
| Light source | LED |
| Type of LED | SMD |
| Colour temperature (K) | 3000/4000/6000 |
| Colour consistency (SDCM) | SDCM3 |
| CRI | >80 |
| IK | IK10 |