



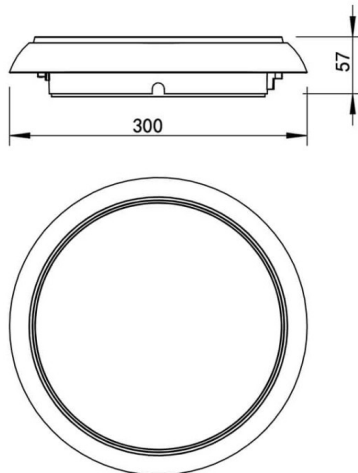
Rock up&down

Lavov surface downlight from the family Rock up&down with a switchable power of 28/32/35W and an optics 150° down, 110° up degrees. Switchable CCT 3000/4000/6000K. With a total lumen output of 3300/3800/4200lm and a luminous efficiency of 120lm/W. Color stability SDCM3. CCT 3000/4000/6000K. On-off driver. Made in PC housing and PC cover and finished in black color. IP54 and IK10 degree of protection. CRI > 80.

Dimensions

Product dimensions (mm) Ø450xH70mm

Scheme



Item code	86.SD09.2301.02
Product type	Indoor
Category	Surface Downlights
Family	Rock
Subfamily	Rock up&down
Pictograms	

Product	
Real power (W)	28/32/35
Real luminous flux (Lm)	3300/3800/4200
Luminous efficiency (Lm/W)	120
Beam angle (º)	150° down, 110° up
IP	54
Colour	black
Control gear included	yes
Control gear	On-off
Power Factor	>0,9
Flicker Free	yes
Colour temperature (K)	3000/4000/6000
Colour consistency (SDCM)	SDCM<3
CRI	>80
IK	IK10