

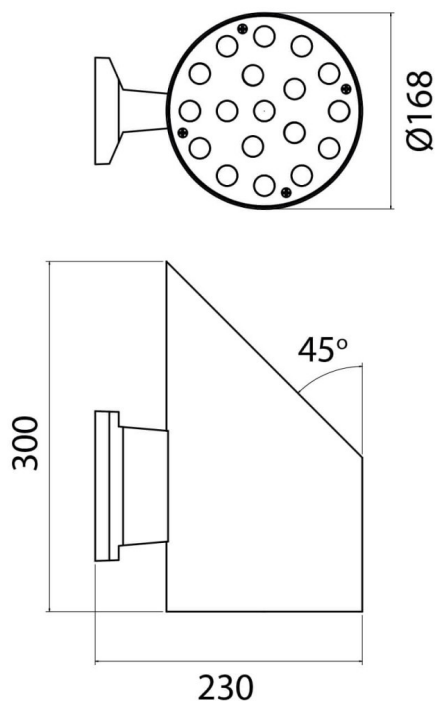


### Tubesun

Lavov Solar Wall light from the family Tubesun with a power of 15W and a 60 beam angle. Made in Stainless Steel, Solar Panel: 5.5V 3W, Polycrystalline, Battery Type: Lithium-Ion 3.7V 4AH, Charging Time: 6-8 Hours, Discharging Time: 12-15 Hours, Led: 160 lm/w. Finished in black color.

<b>Item code</b>	<b>86.S003.1300.02</b>
<b>Product type</b>	<b>Outdoor</b>
<b>Category</b>	<b>Solar Wall Lights</b>
<b>Family</b>	<b>Tubesun</b>
<b>Pictograms</b>	<div style="display: flex; gap: 10px;"> <div style="border: 1px solid gray; border-radius: 5px; padding: 2px 5px;">CRI 80</div> <div style="border: 1px solid gray; border-radius: 5px; padding: 2px 5px;">IP 65</div> </div>

### Scheme



<b>Product</b>	
<b>Real power (W)</b>	<b>15</b>
<b>Beam angle (&amp;ordm;)</b>	<b>60</b>
<b>IP</b>	<b>65</b>
<b>Colour</b>	<b>black</b>
<b>Colour temperature (K)</b>	<b>3000K</b>