

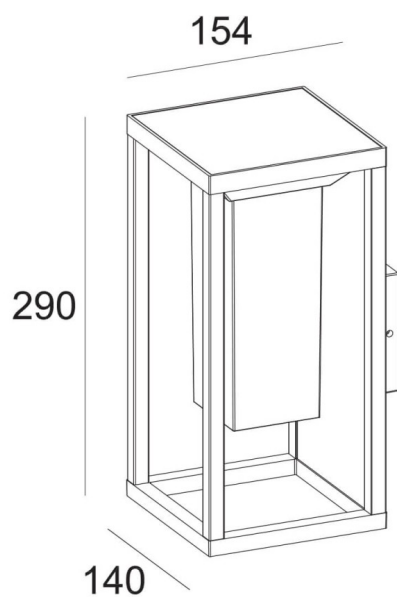


Lantern wall

Lavov Solar Wall light from the family Lantern wall with a power of 2W and a 360 beam angle. Made in Aluminium die-casting, DC3.7V,2W Solar panel, Philips 2.2W with microwave,3,7V 2200mAh lithium battery, Charge 6-8H(sunshine) Work time full light 2.5-3H, Microlight 20-25H,IP54. Finished in black color.

Item code	86.S005.1300.02
Product type	Outdoor
Category	Solar Wall Lights
Family	Lantern wall
Pictograms	CRI 80

Scheme



Product	
Real power (W)	2
Beam angle (&ordm;)	360
IP	54
Colour	black
Colour temperature (K)	3000K

Photometry

