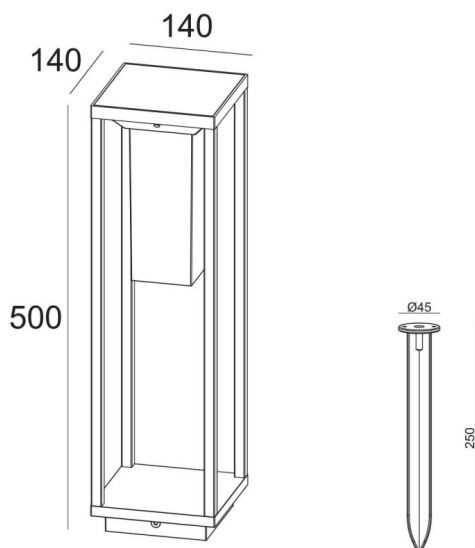




Lantern floor

Lavov outdoor Solar Bollard from the family Lantern floor with a power of 2W and a optic distribution 360 . With a total lumen output of 392lm and an efficiency of lm/W. Manufactured in Aluminium die-casting, DC3.7V,2W Solar panel, Philips 2.2W with microwave, 3,7V 2200mAh lithium battery Charge 6-8H(sunshine) Work time full light 2.5-3H, Microlight 20-25H, IP54 and finished in black colour. driver.

Scheme



Item code	86.S006.2300.02
Product type	Outdoor
Category	Solar Bollards
Family	Lantern floor
Pictograms	<div style="display: flex; gap: 10px;"> <div style="border: 1px solid black; border-radius: 5px; padding: 2px;">CRI 80</div> <div style="border: 1px solid black; border-radius: 5px; padding: 2px;">IP 65</div> </div>

Product	
Real power (W)	2
Real luminous flux (Lm)	392
Beam angle (&ordm;)	360
IP	54
Colour	black
Light source	LED
Colour temperature (K)	3000K

Photometry

