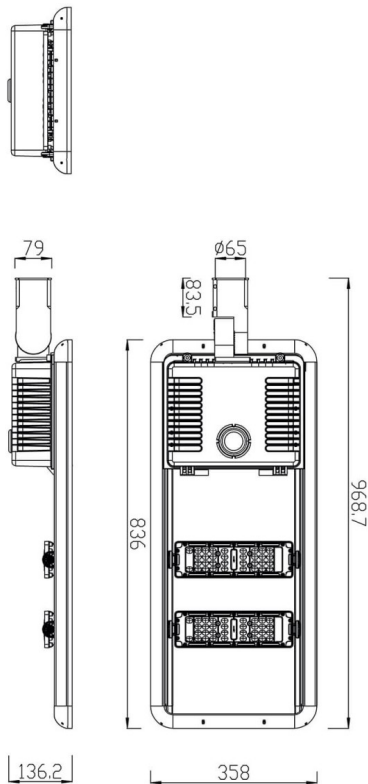




**Space solar**

Lavov Solar Street light luminaire from the family Space solar, with a power of 30W and a Type II-S 30\*150 type lighting distribution. With a total lumen output of 5550 and a luminous efficacy of 185lm/W. Made in Die cast aluminium housing and PMMA lenses.. IP66. CRI>70 . CCT 4000K. Driver . Finished in grey color.

**Scheme**



<b>Item code</b>	<b>86.S008.3320.03</b>
<b>Product type</b>	<b>Outdoor</b>
<b>Category</b>	<b>Solar Street Lights</b>
<b>Family</b>	<b>Space solar</b>
<b>Pictograms</b>	<div style="display: flex; gap: 10px;"> <div style="border: 1px solid black; border-radius: 50%; padding: 2px 5px;">CRI 80</div> <div style="border: 1px solid black; border-radius: 50%; padding: 2px 5px;">IP 66</div> </div>

<b>Product</b>	
<b>Real power (W)</b>	<b>30</b>
<b>Real luminous flux (Lm)</b>	<b>5550</b>
<b>Luminous efficiency (Lm/W)</b>	<b>185</b>
<b>Beam angle (°)</b>	<b>Type II-S 30*150</b>
<b>IP</b>	<b>66</b>
<b>Colour</b>	<b>grey</b>
<b>Chip Brand</b>	<b>Osram</b>
<b>Control gear included</b>	<b>yes</b>
<b>Light source</b>	<b>LED</b>
<b>Type of LED</b>	<b>Osram 5050</b>
<b>Colour temperature (K)</b>	<b>4000K</b>
<b>Colour consistency (SDCM)</b>	<b>5SDCM</b>
<b>CRI</b>	<b>&gt;70</b>
<b>IK</b>	<b>IK10</b>