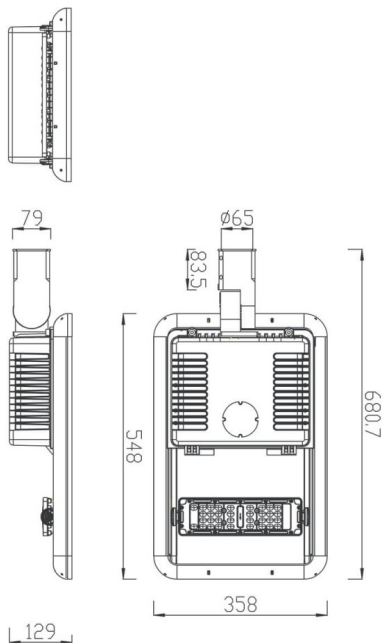




Space solar

Lavov Solar Street light luminaire from the family Space solar, with a power of 10W and a Type II-S 30*150 type lighting distribution. With a total lumen output of 1850 and a luminous efficacy of 185lm/W. Made in Die cast aluminium housing and PMMA lenses.. IP66. CRI>70 . CCT 4000K. Driver . Finished in grey color.

Scheme



Item code	86.S009.1320.03
Product type	Outdoor
Category	Solar Street Lights
Family	Space solar
Pictograms	<div style="display: flex; gap: 10px;"> <div style="border: 1px solid black; border-radius: 50%; padding: 2px 5px;">CRI 80</div> <div style="border: 1px solid black; border-radius: 50%; padding: 2px 5px;">IP 66</div> </div>

Product	
Real power (W)	10
Real luminous flux (Lm)	1850
Luminous efficiency (Lm/W)	185
Beam angle (°)	Type II-S 30*150
IP	66
Colour	grey
Chip Brand	Osram
Control gear included	yes
Light source	LED
Type of LED	Osram 5050
Colour temperature (K)	4000K
Colour consistency (SDCM)	5SDCM
CRI	>70
IK	IK10