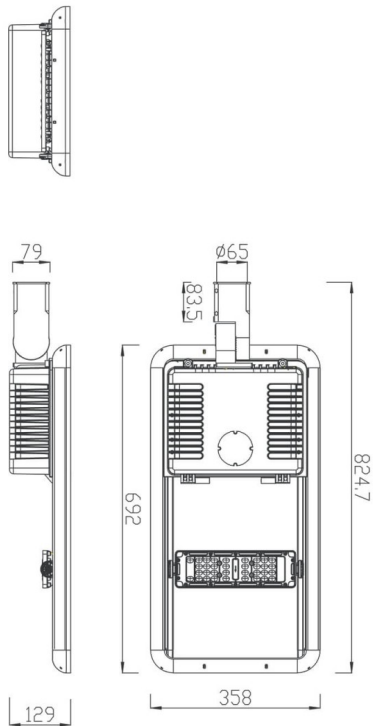




**Space solar**

Lavov Solar Street light luminaire from the family Space solar, with a power of 20W and a Type II-M 80\*150 type lighting distribution. With a total lumen output of 3700 and a luminous efficacy of 185lm/W. Made in Die cast aluminium housing and PMMA lenses.. IP66. CRI>70 . CCT 4000K. Driver . Finished in grey color.

**Scheme**



|                     |   |
|---------------------|---|
| <b>Item code</b>    | <b>86.S009.2310.03</b>  |
| <b>Product type</b> | <b>Outdoor</b>  |
| <b>Category</b>     | <b>Solar Street Lights</b>  |
| <b>Family</b>       | <b>Space solar</b>  |
| <b>Pictograms</b>   | <div style="display: flex; gap: 10px;"> <div style="border: 1px solid black; padding: 2px;">CRI<br/>80</div> <div style="border: 1px solid black; padding: 2px;">IP<br/>66</div> </div> |

|                                   |                         |
|-----------------------------------|-------------------------|
| <b>Product</b>                    |                         |
| <b>Real power (W)</b>             | <b>20</b>               |
| <b>Real luminous flux (Lm)</b>    | <b>3700</b>             |
| <b>Luminous efficiency (Lm/W)</b> | <b>185</b>              |
| <b>Beam angle (°)</b>             | <b>Type II-M 80*150</b> |
| <b>IP</b>                         | <b>66</b>               |
| <b>Colour</b>                     | <b>grey</b>             |
| <b>Chip Brand</b>                 | <b>Osram</b>            |
| <b>Control gear included</b>      | <b>yes</b>              |
| <b>Light source</b>               | <b>LED</b>              |
| <b>Type of LED</b>                | <b>Osram 5050</b>       |
| <b>Colour temperature (K)</b>     | <b>4000K</b>            |
| <b>Colour consistency (SDCM)</b>  | <b>5SDCM</b>            |
| <b>CRI</b>                        | <b>&gt;70</b>           |
| <b>IK</b>                         | <b>IK10</b>             |