



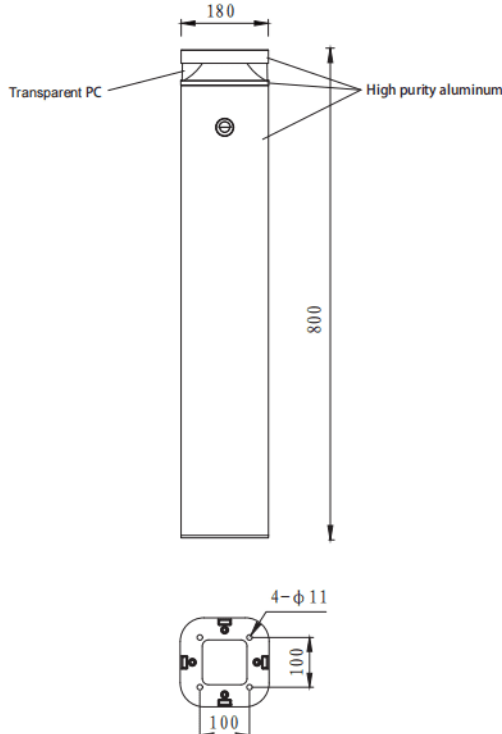
SLOT-S

Lavov outdoor Solar Bollard from the family SLOT with a power of 4W and a optic distribution 180°. With a total lumen output of 1m and an efficiency of 113,33lm/W. Manufactured in Die casting aluminium body, LED, Extruded aluminium pole, powder coated, Solar Panel 6V/4w Lithium Battery LiFePO4 21W/h, 3.2V/6AH Control Mode: PIR sensor, Charging time 4hrs, Discharging Time >3 days and finished in black colour.

Dimensions

Product dimensions (mm) **180X180X800**

Scheme



Item code	86.SO15.1300.02
Product type	Outdoor
Category	Solar Bollards
Family	SLOT
Subfamily	SLOT-S
Pictograms	<div style="display: flex; gap: 10px;"> <div style="border: 1px solid black; border-radius: 5px; padding: 2px 5px;">CRI 80</div> <div style="border: 1px solid black; border-radius: 5px; padding: 2px 5px;">IP 66</div> </div>

Product	
Real power (W)	4
Luminous efficiency (Lm/W)	113.33
Beam angle (°)	180°
IP	65
Colour	black
Chip Brand	SUNPU
Light source	LED
Type of LED	LED : 2835*80pcs
Colour temperature (K)	3000K
IK	IK08