



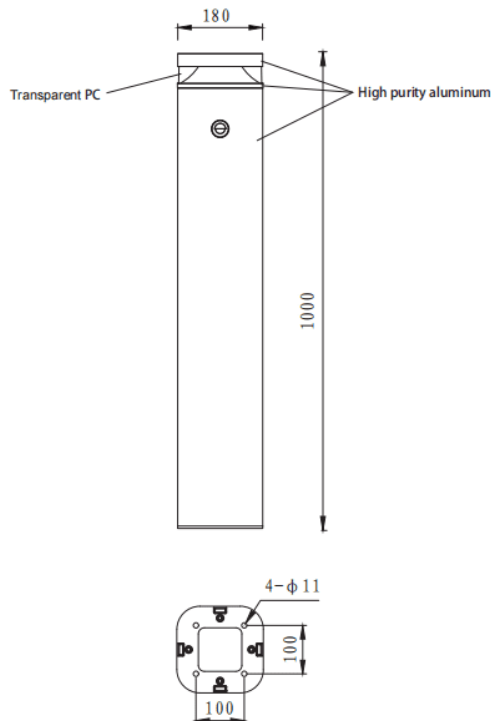
### SLOT-S

Lavov outdoor Solar Bollard from the family SLOT with a power of 4W and a optic distribution 360°. With a total lumen output of 1m and an efficiency of 113,33lm/W. Manufactured in Die casting aluminium body, LED, Extruded aluminium pole, powder coated, Solar Panel 6V/4w Lithium Battery LiFePO4 21W/h, 3.2V/6AH Control Mode:PIR sensor, Charging time 4hrs, Discharging Time >3 days and finished in black colour.

### Dimensions

Product dimensions (mm) **180X180X1000**

### Scheme



Item code	<b>86.SO15.2300.02</b>
-----------	------------------------

Product type	<b>Outdoor</b>
--------------	----------------

Category	<b>Solar Bollards</b>
----------	-----------------------

Family	<b>SLOT</b>
--------	-------------

Subfamily	<b>SLOT-S</b>
-----------	---------------

Pictograms	<div style="display: flex; gap: 10px;"> <div style="border: 1px solid black; padding: 2px;">CRI 80</div> <div style="border: 1px solid black; padding: 2px;">IP 66</div> </div>
------------	-----------------------------------------------------------------------------------------------------------------------------------------------------------------------------------------

### Product

Real power (W)	<b>4</b>
----------------	----------

Luminous efficiency (Lm/W)	<b>113.33</b>
----------------------------	---------------

Beam angle (°)	<b>360°</b>
----------------	-------------

IP	<b>65</b>
----	-----------

Colour	<b>black</b>
--------	--------------

Chip Brand	<b>SUNPU</b>
------------	--------------

Light source	<b>LED</b>
--------------	------------

Type of LED	<b>LED : 2835*80pcs</b>
-------------	-------------------------

Colour temperature (K)	<b>3000K</b>
------------------------	--------------

IK	<b>IK08</b>
----	-------------