



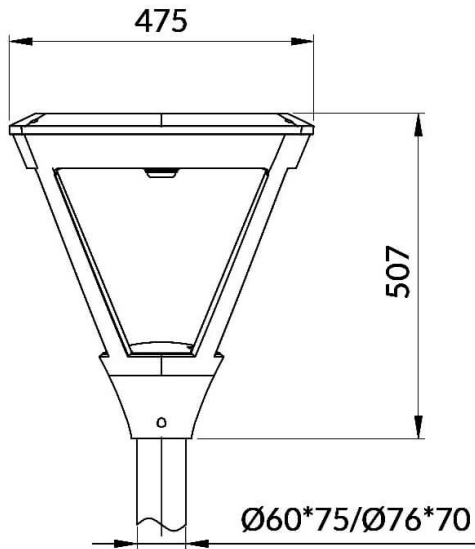
COUNTRY SOLAR

Lavov Solar Street light luminaire from the family COUNTRY SOLAR , with a power of 12W and a T4 type lighting distribution. With a total lumen output of 1800 and a luminous efficacy of 150lm/W. Made in Die cast aluminum body, Polycarbonate optical lens, LiFePO4 battery 154Wh, 12,8V /12Ah, Mono-Crystalline solar panel 18W. Microwave sensor control. Charging time 5,4 hrs. General / 2 days / 1hrs - 100%, 2hrs - 50%, 8hrs - 20%. IP66. CRI70 . CCT 3000K. Finished in grey color.

Dimensions

Product dimensions (mm) 475X475X520mm

Scheme



Item code	86.SO24.1340.02
Product type	Outdoor
Category	Solar Street Lights
Family	COUNTRY SOLAR
Pictograms	<div style="display: flex; gap: 10px;"> <div style="border: 1px solid black; padding: 2px;">CRI 80</div> <div style="border: 1px solid black; padding: 2px;">IP 65</div> </div>

Product	
Real power (W)	12
Real luminous flux (Lm)	1800
Luminous efficiency (Lm/W)	150
Beam angle (°)	T4
IP	66
Colour	grey
Control gear included	yes
Light source	LED
Type of LED	3030, 56 pieces
Colour temperature (K)	3000K
Colour consistency (SDCM)	5SDCM
CRI	70