

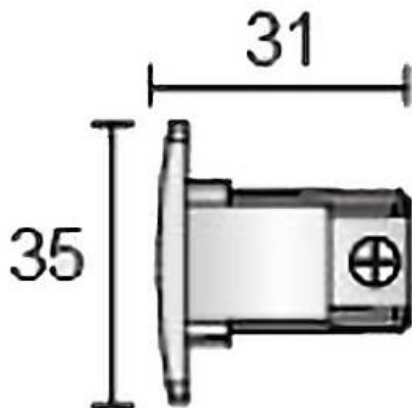


End Cap

End Cap finished in Black colour

Item code	86.T002.0432.02
Product type	Indoor
Category	Tracklights
Family	3 Circuit track Accesories
Subfamily	End Cap
Pictograms	

Scheme



Product

Colour **Black**