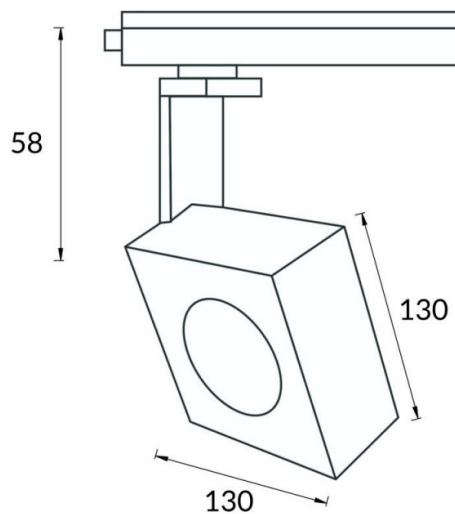
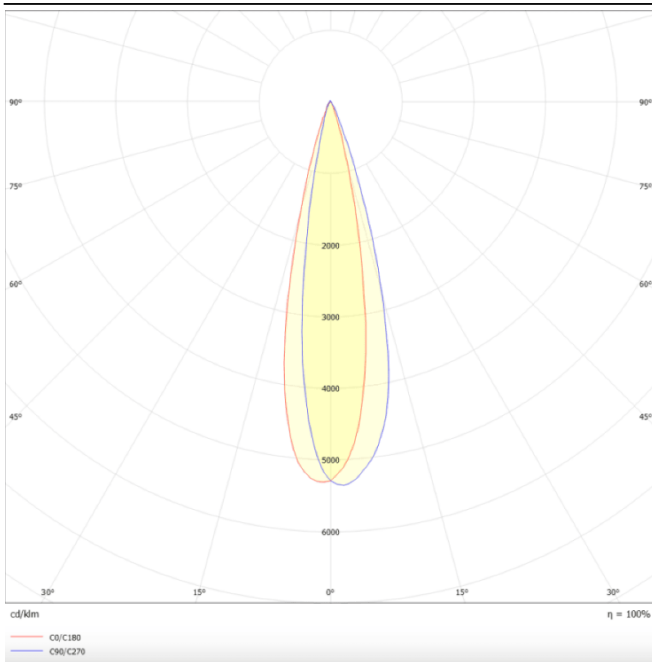




Scheme



Photometry



Square

Lavov Tracklight from the family Square with a power of 30W and an optic of 24degrees with a total lumen output of 1709 lm and an efficiency of 56,97 lm/W. CCT 3000 Kelvin. Made in Die cast aluminium and finished in White colour.ON-OFF driver.

| | |
|--------------|-----------------|
| Item code | 86.T007.1321.01 |
| Product type | Indoor |
| Category | Tracklights |
| Family | Disc & Square |
| Subfamily | Square |
| Pictograms | |

| | |
|-----------------------------|---------------|
| Product | |
| Real power (W) | 30 |
| Real luminous flux (Lm) | 1709 |
| Luminous efficiency (Lm/W) | 56.96 |
| Beam angle (°) | 24 |
| Life time (h) | 50000h L80B10 |
| IP | 20 |
| Electrical class insulation | Class I |
| Operating temperature | -20 +35 |
| Colour | White |
| Chip Brand | Philip |
| Control gear included | yes |
| Control gear | ON-OFF |
| Colour temperature (K) | 3000 |
| Colour consistency (SDCM) | SDCM<3 |
| CRI | 80 |