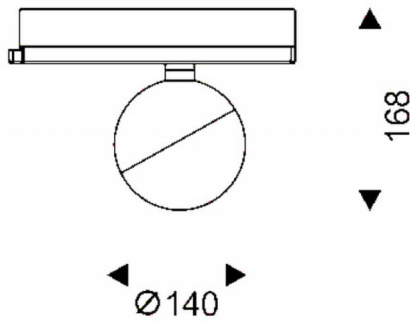




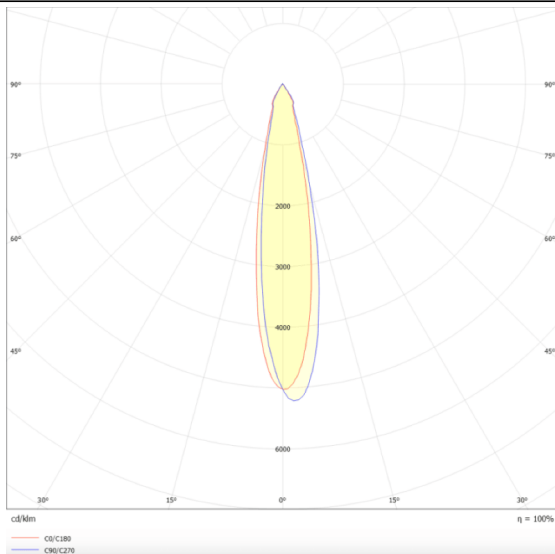
Luxball

Lavov Tracklight from the family Luxball with a power of 30W and an optic of 24 degrees with a total lumen output of 1870 lm and an efficiency of 62,3 lm/W. CCT 3000 Kelvin. Made in Die Cast Aluminum and finished in Black colour.ON-OFF driver.

Scheme



Photometry



Item code	86.T008.2321.02
Product type	Indoor
Category	Tracklights
Family	Luxball
Subfamily	Luxball

Pictograms



Product

Real power (W)	30
Real luminous flux (Lm)	1870
Luminous efficiency (Lm/W)	62.33
Beam angle (°)	24
Life time (h)	50000h L80B10
IP	20
Electrical class insulation	Class I
Operating temperature	-20 +35
Colour	Black
Chip Brand	Philip
Control gear included	yes
Control gear	ON-OFF
Light source	LED
Type of LED	COB
Colour temperature (K)	3000
Colour consistency (SDCM)	SDCM3
CRI	90