



Luxball

Lavov Tracklight from the family Luxball with a power of 30W and an optic of 15 degrees with a total lumen output of 1870 lm and an efficiency of 62,3 lm/W. CCT 4000 Kelvin. Made in Die Cast Aluminum and finished in White colour. DALI driver.

Item code 86.T008.2413.01

Product type Indoor

Category Tracklights

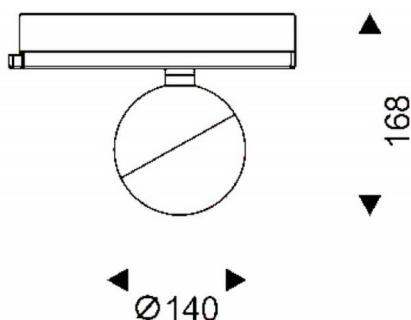
Family Luxball

Subfamily Luxball

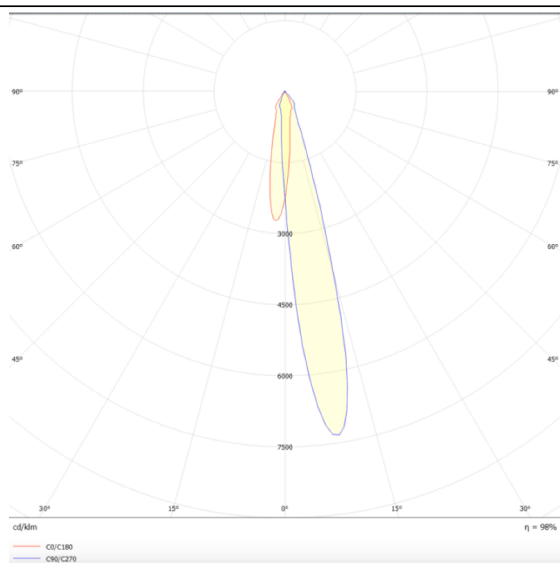
Pictograms



Scheme



Photometry



Product

Real power (W) 30

Real luminous flux (Lm) 1870

Luminous efficiency (Lm/W) 62.33

Beam angle (°) 15

Life time (h) 50000h L80B10

IP 20

Electrical class insulation Class I

Operating temperature -20 +35

Colour White

Chip Brand Philip

Control gear included yes

Control gear DALI

Colour temperature (K) 4000

Colour consistency (SDCM) SDCM<3

CRI 90