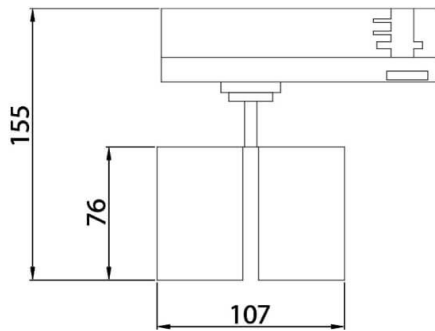


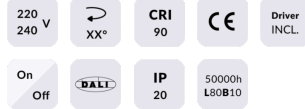


### GAP D

Lavov tracklight from the family GAP D with a power of 2x10W and a optic distribution 15°. With a total lumen output of 1800lm and an efficiency of 90lm/W. Manufactured in Die Cast Aluminum and finished in White colour. ON-OFF driver.

### Scheme



Item code	86.T014.1311.01
Product type	Indoor
Category	Tracklights
Family	GAP
Subfamily	GAP D
Pictograms	

Product	
Real power (W)	2x10
Real luminous flux (Lm)	1800
Luminous efficiency (Lm/W)	90
Beam angle (&ordm;)	15°
Life time (h)	50000h L80B10
IP	20
Electrical class insulation	Class II
Operating temperature	15
Colour	White
Chip Brand	Philip
Control gear included	yes
Control gear	ON-OFF
Colour temperature (K)	3000
Colour consistency (SDCM)	SDCM<3
CRI	90