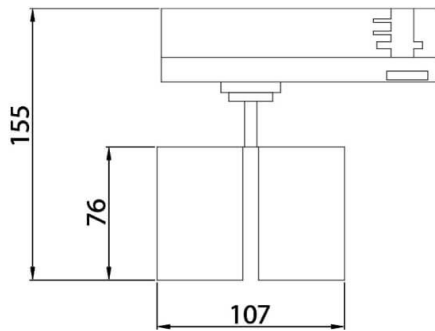


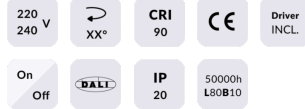


### GAP D

Lavov tracklight from the family GAP D with a power of 2x10W and a optic distribution 36°. With a total lumen output of 1800lm and an efficiency of 90lm/W. Manufactured in Die Cast Aluminum and finished in Black colour. DALI driver.

### Scheme



Item code	86.T014.1333.02
Product type	Indoor
Category	Tracklights
Family	GAP
Subfamily	GAP D
Pictograms	

Product	
Real power (W)	2x10
Real luminous flux (Lm)	1800
Luminous efficiency (Lm/W)	90
Beam angle (°)	36°
Life time (h)	50000h L80B12
IP	20
Electrical class insulation	Class II
Operating temperature	15
Colour	Black
Chip Brand	Philip
Control gear included	yes
Control gear	DALI
Light source	LED
Type of LED	COB
Colour temperature (K)	3000
Colour consistency (SDCM)	SDCM3
CRI	90