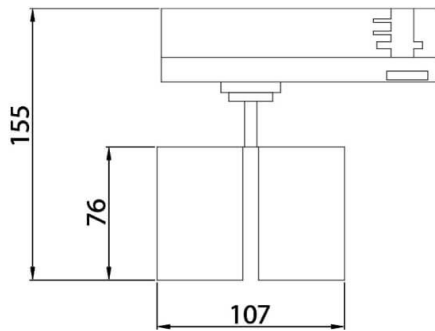





### GAP D-Smart

Lavov tracklight from the family GAP D-Smart with a power of 2x10W and a optic distribution 24°. With a total lumen output of 1800lm and an efficiency of 100lm/W. CCT 4000K. Manufactured in Die Cast Aluminum and finished in White colour. Dimable Casambi ready driver.

### Scheme



<b>Item code</b>	<b>86.T014.1429.01</b>
<b>Product type</b>	<b>Indoor</b>
<b>Category</b>	<b>Tracklights</b>
<b>Family</b>	<b>GAP</b>
<b>Subfamily</b>	<b>GAP D-Smart</b>
<b>Pictograms</b>	

<b>Product</b>	
<b>Real power (W)</b>	<b>2x10</b>
<b>Real luminous flux (Lm)</b>	<b>1800</b>
<b>Luminous efficiency (Lm/W)</b>	<b>100</b>
<b>Beam angle (°)</b>	<b>24°</b>
<b>Life time (h)</b>	<b>50000h L80B10</b>
<b>IP</b>	<b>20</b>
<b>Electrical class insulation</b>	<b>Class II</b>
<b>Operating temperature</b>	<b>15</b>
<b>Colour</b>	<b>White</b>
<b>Chip Brand</b>	<b>Philip</b>
<b>Control gear included</b>	<b>yes</b>
<b>Control gear</b>	<b>Dimable Casambi ready</b>
<b>Light source</b>	<b>LED</b>
<b>Type of LED</b>	<b>COB</b>
<b>Colour temperature (K)</b>	<b>4000</b>
<b>Colour consistency (SDCM)</b>	<b>SDCM3</b>
<b>CRI</b>	<b>90</b>