



Tube tracklight D45 H100

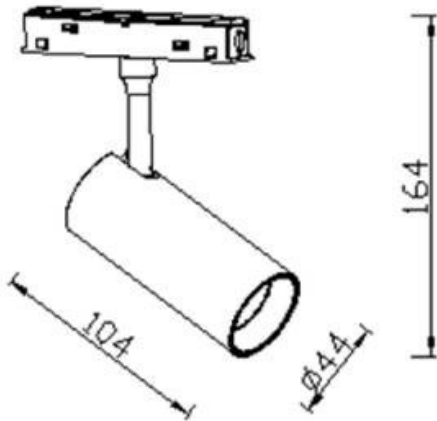
Lavov tracklight from the family Tube tracklight D45 H100 with a power of 10W and a beam angle of 15°. With a real lumen output of 1000lm and an efficiency of 100lm/W. Made in Die cast aluminium and finished in black color. ON-OFF, No-dim.

Item code	86.TL01.8311.02
Product type	Indoor
Category	Tracklights
Family	Magnetic Track
Subfamily	Tube tracklight D45 H100

Pictograms



Scheme



Product	
Real power (W)	10
Real luminous flux (Lm)	1000lm
Luminous efficiency (Lm/W)	100
Beam angle (°)	15°
Colour	black
Chip Brand	EPISTAR
Control gear included	YES
Control gear	ON-OFF, No-dim
Light source	LED
Type of LED	SMD
Average life time (h)	50000hrs L80 B10
Colour temperature (K)	3000
Colour consistency (SDCM)	SDCM3
CRI	90