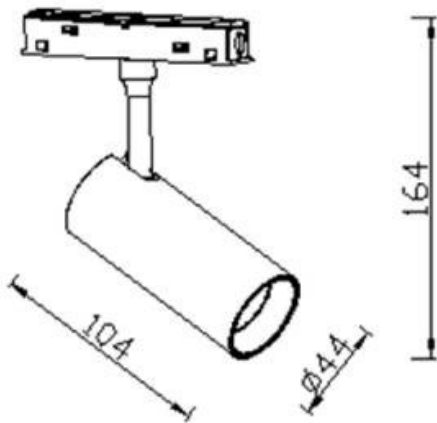





Tube tracklight D45 H100

Lavov tracklight from the family Tube tracklight D45 H100 with a power of 10W and a beam angle of 24°. With a real lumen output of 1000lm and an efficiency of 100lm/W. Made in Die cast aluminium and finished in white color. DALI Tunable White Dim 0.1~100%.

Scheme



Item code	86.TL01.8320.01
Product type	Indoor
Category	Tracklights
Family	Magnetic Track
Subfamily	Tube tracklight D45 H100
Pictograms	

Product	
Real power (W)	10
Real luminous flux (Lm)	1000lm
Luminous efficiency (Lm/W)	100
Beam angle (º)	24°
Colour	white
Chip Brand	EPISTAR
Control gear included	YES
Control gear	DALI Tunable White Dim 0.1~100%
Flicker Free	Yes
Average life time (h)	50000hrs L80 B10
Colour temperature (K)	3000
Colour consistency (SDCM)	SDCM<3
CRI	90