


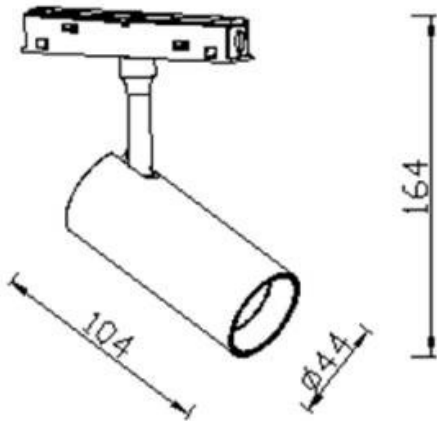


### Tube tracklight D45 H100

Lavov tracklight from the family Tube tracklight D45 H100 with a power of 10W and a beam angle of 24°. With a real lumen output of 1000lm and an efficiency of 100lm/W. Made in Die cast aluminium and finished in white color. ON-OFF, No-dim.

Item code	86.TL01.8321.01
Product type	Indoor
Category	Tracklights
Family	Magnetic Track
Subfamily	Tube tracklight D45 H100
Pictograms	

### Scheme



Product	
Real power (W)	10
Real luminous flux (Lm)	1000lm
Luminous efficiency (Lm/W)	100
Beam angle (°)	24°
Colour	white
Chip Brand	EPISTAR
Control gear included	YES
Control gear	ON-OFF, No-dim
Light source	LED
Type of LED	SMD
Average life time (h)	50000hrs L80 B10
Colour temperature (K)	3000
Colour consistency (SDCM)	SDCM3
CRI	90