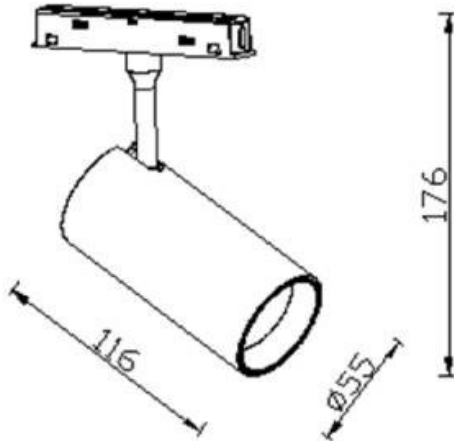




Tube tracklight D55 H115

Lavov tracklight from the family Tube tracklight D55 H115 with a power of 20W and a beam angle of 36°. With a real lumen output of 2000lm and an efficiency of 100lm/W. Made in Die cast aluminium and finished in black color. DALI Brightness Dim 0.1~100%.

Scheme



| | |
|--------------|--------------------------|
| Item code | 86.TL01.A333.02 |
| Product type | Indoor |
| Category | Tracklights |
| Family | Magnetic Track |
| Subfamily | Tube tracklight D55 H115 |
| Pictograms | |

| | |
|----------------------------|------------------------------|
| Product | |
| Real power (W) | 20 |
| Real luminous flux (Lm) | 2000lm |
| Luminous efficiency (Lm/W) | 100 |
| Beam angle (º) | 36° |
| Colour | black |
| Chip Brand | EPISTAR |
| Control gear included | YES |
| Control gear | DALI Brightness Dim 0.1~100% |
| Flicker Free | Yes |
| Average life time (h) | 50000hrs L80 B10 |
| Colour temperature (K) | 3000 |
| Colour consistency (SDCM) | SDCM<3 |
| CRI | 90 |