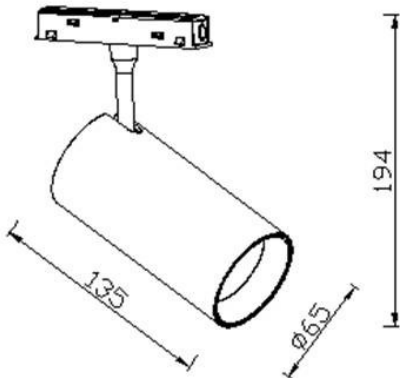





### Tube tracklight D65 H135

Lavov tracklight from the family Tube tracklight D65 H135 with a power of 30W and a beam angle of 15°. With a real lumen output of 3000lm and an efficiency of 100lm/W. Made in Die cast aluminium and finished in white color. DALI Tunable White Dim 0.1~100%.

### Scheme



|              |   |
|--------------|---|
| Item code    | 86.TL01.B310.01   |
| Product type | Indoor  |
| Category     | Tracklights   |
| Family       | Magnetic Track  |
| Subfamily    | Tube tracklight D65 H135  |
| Pictograms   |  |

|                            |                                 |
|----------------------------|---------------------------------|
| Product                    |                                 |
| Real power (W)             | 30                              |
| Real luminous flux (Lm)    | 3000lm                          |
| Luminous efficiency (Lm/W) | 100                             |
| Beam angle (°)             | 15°                             |
| Colour                     | white                           |
| Chip Brand                 | EPISTAR                         |
| Control gear included      | YES                             |
| Control gear               | DALI Tunable White Dim 0.1~100% |
| Flicker Free               | Yes                             |
| Light source               | LED                             |
| Type of LED                | SMD                             |
| Average life time (h)      | 50000hrs L80 B10                |
| Colour temperature (K)     | 3000                            |
| Colour consistency (SDCM)  | SDCM3                           |
| CRI                        | 90                              |