



### Tube tracklight D65 H135

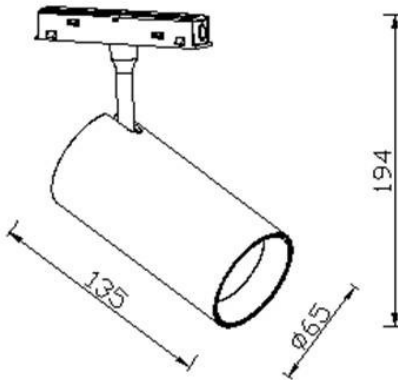
Lavov tracklight from the family Tube tracklight D65 H135 with a power of 30W and a beam angle of 15°. With a real lumen output of 3000lm and an efficiency of 100lm/W. Made in Die cast aluminium and finished in black color. ON-OFF, No-dim.

|              |                          |
|--------------|--------------------------|
| Item code    | 86.TL01.B311.02          |
| Product type | Indoor                   |
| Category     | Tracklights              |
| Family       | Magnetic Track           |
| Subfamily    | Tube tracklight D65 H135 |

#### Pictograms



#### Scheme



|                            |                  |
|----------------------------|------------------|
| Product                    |                  |
| Real power (W)             | 30               |
| Real luminous flux (Lm)    | 3000lm           |
| Luminous efficiency (Lm/W) | 100              |
| Beam angle (°)             | 15°              |
| Colour                     | black            |
| Chip Brand                 | EPISTAR          |
| Control gear included      | YES              |
| Control gear               | ON-OFF, No-dim   |
| Light source               | LED              |
| Type of LED                | SMD              |
| Average life time (h)      | 50000hrs L80 B10 |
| Colour temperature (K)     | 3000             |
| Colour consistency (SDCM)  | SDCM3            |
| CRI                        | 90               |