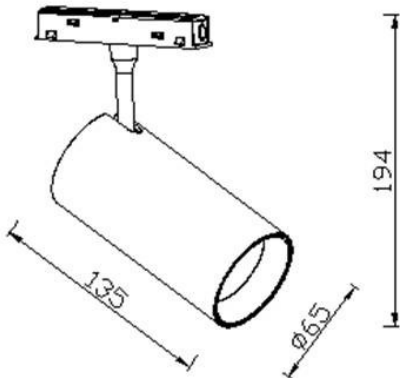





### Tube tracklight D65 H135

Lavov tracklight from the family Tube tracklight D65 H135 with a power of 30W and a beam angle of 24°. With a real lumen output of 3000lm and an efficiency of 100lm/W. Made in Die cast aluminium and finished in black color. DALI Brightness Dim 0.1~100%.

### Scheme



### Photometry

<b>Item code</b>	<b>86.TL01.B323.02</b>
<b>Product type</b>	<b>Indoor</b>
<b>Category</b>	<b>Tracklights</b>
<b>Family</b>	<b>Magnetic Track</b>
<b>Subfamily</b>	<b>Tube tracklight D65 H135</b>
<b>Pictograms</b>	

<b>Product</b>	
<b>Real power (W)</b>	<b>30</b>
<b>Real luminous flux (Lm)</b>	<b>3000lm</b>
<b>Luminous efficiency (Lm/W)</b>	<b>100</b>
<b>Beam angle (&amp;ordm;)</b>	<b>24°</b>
<b>Colour</b>	<b>black</b>
<b>Chip Brand</b>	<b>EPISTAR</b>
<b>Control gear included</b>	<b>YES</b>
<b>Control gear</b>	<b>DALI Brightness Dim 0.1~100%</b>
<b>Flicker Free</b>	<b>Yes</b>
<b>Average life time (h)</b>	<b>50000hrs L80 B10</b>
<b>Colour temperature (K)</b>	<b>3000</b>
<b>Colour consistency (SDCM)</b>	<b>SDCM&lt;3</b>
<b>CRI</b>	<b>90</b>

