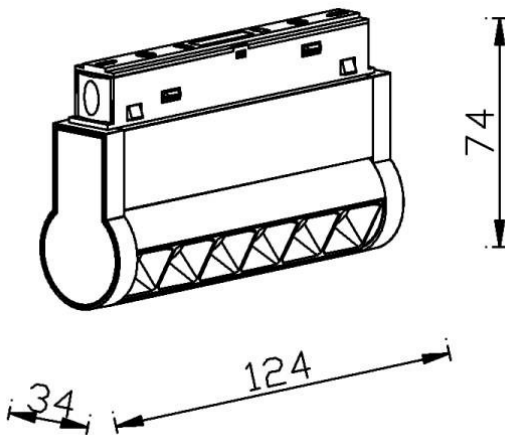





### Linear accent tracklight adjustable

Lavov tracklight from the family Linear accent tracklight adjustable with a power of 6W and a beam angle of 36°. With a real lumen output of 600lm and an efficiency of 100lm/W. Made in Die cast aluminium and finished in black color. DALI Brightness Dim 0.1~100%.

Scheme



Item code	86.TL01.K333.02
Product type	Indoor
Category	Tracklights
Family	Magnetic Track
Subfamily	Linear accent tracklight adjustable
Pictograms	

Product	
Real power (W)	6
Real luminous flux (Lm)	600lm
Luminous efficiency (Lm/W)	100
Beam angle (&ordm;)	36°
Colour	black
Chip Brand	OSRAM
Control gear included	YES
Control gear	DALI Brightness Dim 0.1~100%
Flicker Free	Yes
Average life time (h)	50000hrs L80 B10
Colour temperature (K)	3000
Colour consistency (SDCM)	SDCM<3
CRI	90