


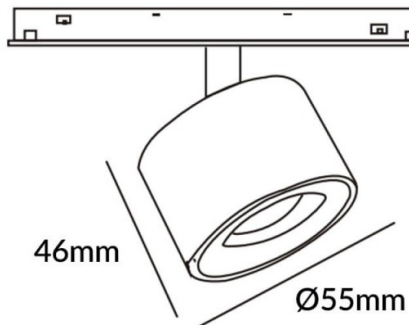


### Disc tracklight DIAM 55x46mm

Lavov tracklight from the family Disc tracklight DIAM 55x46mm with a power of 5W and a beam angle of 15°. With a real lumen output of 500lm and an efficiency of 100lm/W. Made in Die cast aluminium and finished in white color. DALI Tunable White Dim 0.1~100%.

Item code	86.TL01.N310.01
Product type	Indoor
Category	Tracklights
Family	Magnetic Track
Subfamily	Disc tracklight DIAM 55x46mm
Pictograms	

### Scheme



Product	
Real power (W)	5
Real luminous flux (Lm)	500lm
Luminous efficiency (Lm/W)	100
Beam angle (°)	15°
Colour	white
Chip Brand	FMSP924-1 5W
Control gear included	YES
Control gear	DALI Tunable White Dim 0.1~100%
Flicker Free	Yes
Average life time (h)	50000hrs L80 B10
Colour temperature (K)	3000
Colour consistency (SDCM)	SDCM<3
CRI	90