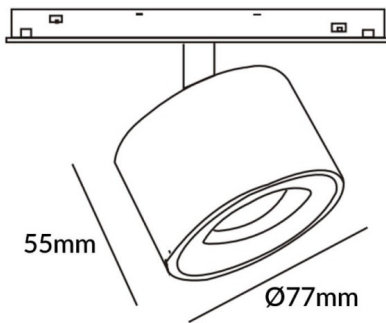





Disc tracklight DIAM 77x55mm

Lavov tracklight from the family Disc tracklight DIAM 60x48mm with a power of 12W and a beam angle of 15°. With a real lumen output of 1200lm and an efficiency of 100lm/W. Made in Die cast aluminium and finished in black color. DALI Tunable White Dim 0.1~100%.

Scheme



| | |
|--------------|---|
| Item code | 86.TL01.Q310.02 |
| Product type | Indoor |
| Category | Tracklights |
| Family | Magnetic Track |
| Subfamily | Disc tracklight DIAM 77x55mm |
| Pictograms |  |

| | |
|----------------------------|---------------------------------|
| Product | |
| Real power (W) | 12 |
| Real luminous flux (Lm) | 1200lm |
| Luminous efficiency (Lm/W) | 100 |
| Beam angle (º) | 15° |
| Colour | black |
| Chip Brand | FMSP924-1 12W |
| Control gear included | YES |
| Control gear | DALI Tunable White Dim 0.1~100% |
| Flicker Free | Yes |
| Average life time (h) | 50000hrs L80 B10 |
| Colour temperature (K) | 3000 |
| Colour consistency (SDCM) | SDCM<3 |
| CRI | 90 |